

**AQA, OCR, Edexcel**

**GCSE**

# GCSE Maths

## Estimation 2 Answers

Name:

**M M E**

Mathsmadeeasy.co.uk

Total Marks: /15

## Estimating 2

1. Work out an estimate for the following quantity:

$$4.1 \times 9.8$$
$$= 40$$

(2 marks)

2. Work out an estimate for the following quantity:

$$\frac{29 \times 1.9}{5.1}$$
$$= 12$$

(2 Marks)

3. Work out an estimate for the following quantity:

$$\frac{5001}{5.1 \times 4.9}$$
$$= 200$$

(2 Marks)

4. Work out an estimate for the following quantity:

$$4.1 \times \frac{99}{5.1}$$
$$= 80$$

(2 Marks)

Visit <http://www.mathsmadeeasy.co.uk/> for more fantastic resources.

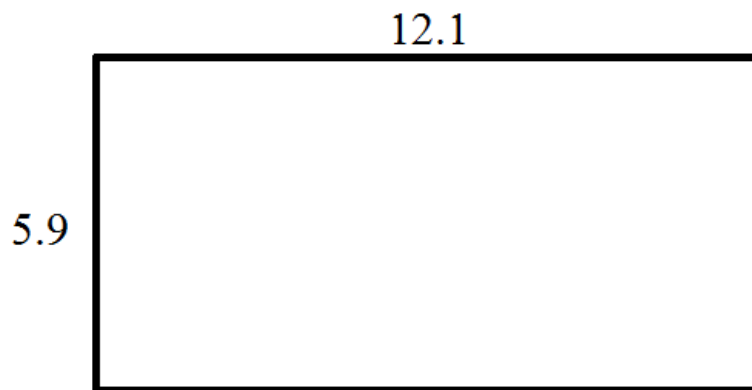
5. Work out an estimate for the following quantity:

$$\frac{99.1 \times 1.12}{44.1 + 55.9}$$

= 1

(2 Marks)

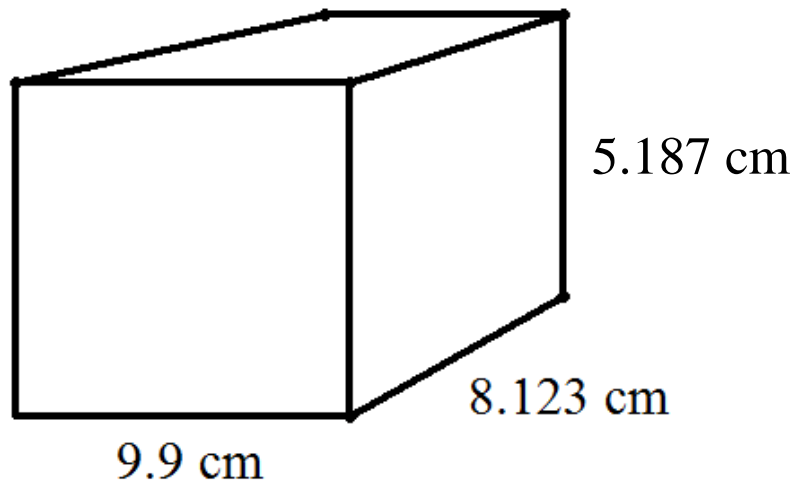
6. Work out an estimate for the area of the rectangle below. The dimensions in the diagram below are in *centimetres*.



= 72 cm<sup>2</sup>

(2 Marks)

7. Work out an estimate for the volume of the cuboid



$$= 400 \text{ cm}^3$$

(3 Marks)